

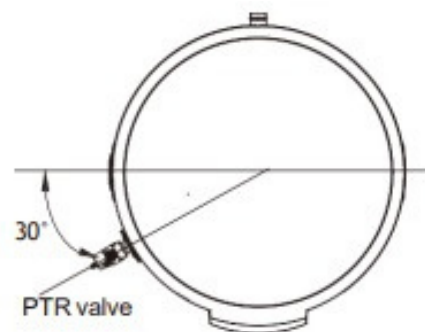
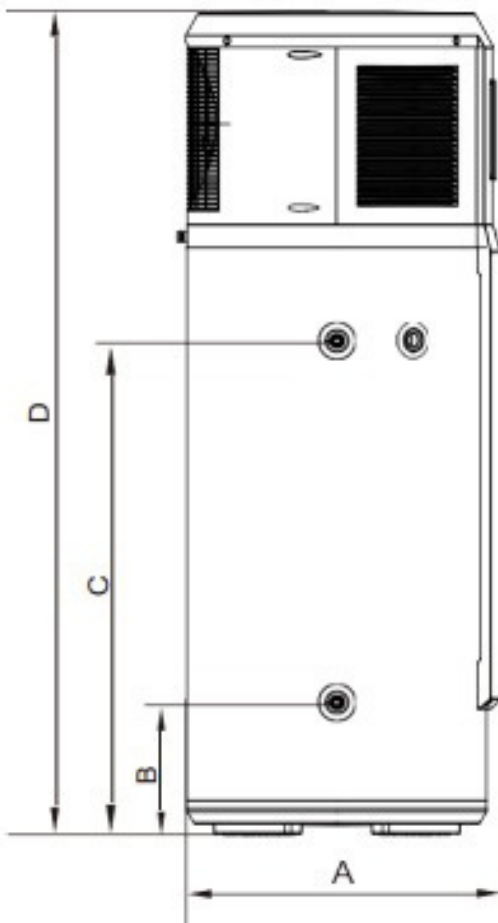
Monoblock Hot Water Heat Pump

200L and 250L

Key Features



- ✓ **Industry leading Energy Efficiency:** Unique product design delivers high COP, which means larger rebates under applicable programs
- ✓ **Wide Operating range:** -7°C to 45°C
- ✓ **Low GWP Refrigerant:**R290 refrigerant is used which has a low global warming potential (GWP) of 3.
- ✓ **SmartHQ WIFI Connectivity:**Built in Wi-Fi module and SmartHQ app allows control from anywhere.
- ✓ **Solar PV Ready:**Automatically adjusts heating times to make best use of self-generated PV solar energy.
- ✓ **High temperature storage:** Can store water up to maximum 75°C, which means more usable hot water
- ✓ **Lownoise:**Utilises a variable speed DC fan for ultra quiet operation.
- ✓ **Flexible Controls:**Five user modes. Auto, Eco, Electric, Vacation and Boost.
- ✓ **Built tough:**Robust vitreous enamelled steel cylinder, with dual magnesium anodes for extra protection
- ✓ **Domestic Warranty:** 7-years on cylinder. 5-years parts & labour.



unit: mm

| Model | A | B | C | D |
|------------|-----|-----|------|------|
| HP200M1-U1 | 630 | 267 | 979 | 1658 |
| HP250M1-U1 | 630 | 267 | 1272 | 1951 |

Haier

Monoblock Hot Water Heat Pump

200L and 250L

Specifications

| Model | HP200M1-U1 | HP250M1-U1 |
|----------------------------------|----------------|----------------|
| Tank | | |
| Total water capacity | 195L | 246L |
| Rated voltage/ frequency | 220-240V/50Hz | 220-240V/50Hz |
| Tank max pressure | 700kPa | 700kPa |
| Ingress protection | IPX4 | IPX4 |
| Hot & cold inlet connections | ¾" RP | ¾" RP |
| TPR connection | ¾" RP | ¾" RP |
| COP* @ 20°C/15°C | 4.49 | 4.48 |
| Power input of element | 1500W | 1500W |
| Rated power - heat pump | 430W | 430W |
| Maximum power -heat pump | 750W | 750W |
| Maximum power input | 2250W | 2250W |
| Average power input - heat pump | 2000W | 2000W |
| Default temperature setting | 60°C | 60°C |
| Heating range (with element) | 35°C – 75°C | 35°C – 75°C |
| Heating range (heat pump only) | 35°C – 65°C | 35°C – 65°C |
| Refrigerant type / weight | R290/0.34kg | R290/0.34kg |
| Noise | 43dB(A) | 43dB(A) |
| Ambient temperature range | -7~45°C | -7~45°C |
| Dimension and connections | | |
| Product Dimensions | 600*630*1658mm | 600*630*1951mm |
| Net/Gross weight | 91/116kg | 106/128kg |
| EAN Code | 9415112440254 | 9415112440261 |

*Performance (20°C/15°C Ambient air temperature, 15°C -55°C water temperature)

*The COP was measured under test conditions with an ambient air temperature of 20°C/15°C (Dry Bulb/Wet Bulb) and heating of the water from 15°C to 55°C during water heater operation.

* The noise level was measured at 1 m from the water heater during a Noise Test conducted to Standard GB/T 23137 in a hemi-anechoic chamber within a laboratory

| Listed Code | STC entitlements for 2023 | | | | | STC entitlements for 2024 | | | | |
|-------------|---------------------------|--------|--------|--------|--------|---------------------------|--------|--------|--------|--------|
| | Zone 1 | Zone 2 | Zone 3 | Zone 4 | Zone 5 | Zone 1 | Zone 2 | Zone 3 | Zone 4 | Zone 5 |
| HP200M1-U1 | 20 | 20 | 24 | 26 | 25 | 18 | 17 | 21 | 23 | 22 |
| HP250M1-U1 | 21 | 20 | 25 | 28 | 27 | 18 | 18 | 22 | 24 | 23 |

Final STC Values TBC pending registration. Confirmation of these figures is due August 2023.

State Grants

Additional state grants are available in Victoria and New South Wales to replace inefficient water heating technologies with efficient technologies such as hot water heat pumps. The Haier Monoblock hot water heat pump models are listed on the programs in both states.

