



ECONOBOIL® 3 LITRE WHITE

Order Code 303042

Wall mounted instant boiling water appliance. The Econoboil® employs twin chamber boiling water steam-heat-boost™ technology to recycle energy from steam to pre-heat the incoming cold water. The Econoboil® utilises thermostat temperature control, the main boiling water tank is constructed from the highest quality 444 grade Stainless Steel and wrapped with high performance insulation to ensure the healthiest water and optimum efficiency. The Econoboil® is equipped with an external two-way classic tap.



| | |
|--------------------|--------|
| Manufacturing Code | 303042 |
|--------------------|--------|

| | |
|----------|-----|
| Capacity | 3 L |
|----------|-----|

| | |
|-----------------------|------------------------|
| Water Pressure | Min 70kPa - Max 500kPa |
|-----------------------|------------------------|

| | |
|-------------------------|------------|
| Water Connection | 12.7mm BSP |
|-------------------------|------------|

| | |
|---------------------|----|
| Water Valves | na |
|---------------------|----|

| | |
|---------------------|----------------------|
| Power Rating | 1.5kW 220-240 V 50Hz |
|---------------------|----------------------|

| | |
|-------------------|--------------------------|
| Dimensions | H431mm x W289mm x D183mm |
|-------------------|--------------------------|

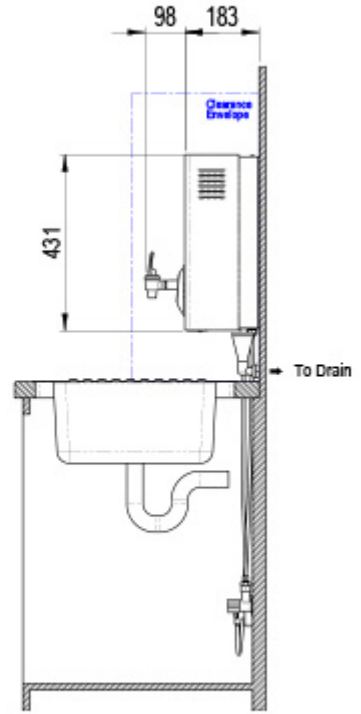
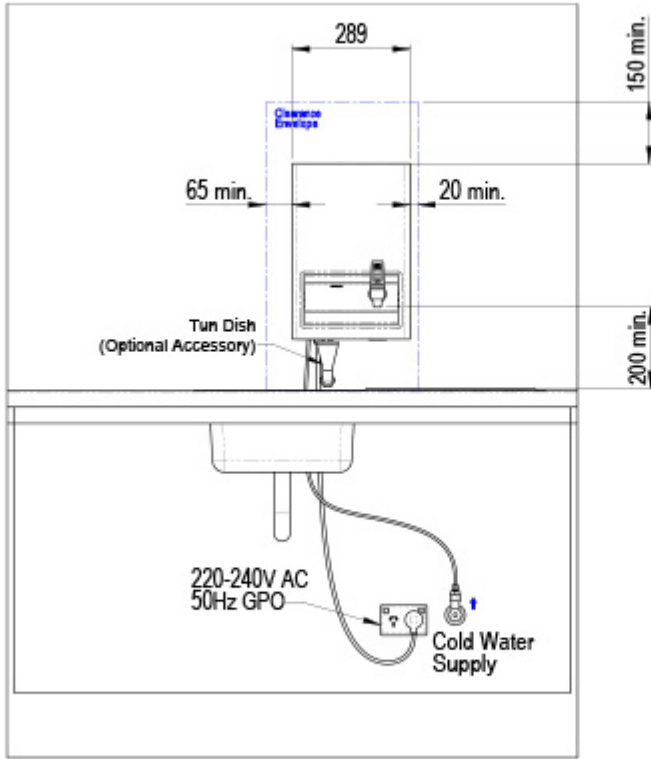
| | |
|--------------------------|----------------|
| Product Approvals | WaterMark, CE, |
|--------------------------|----------------|

| | |
|-----------------|--------|
| Warranty | 1 year |
|-----------------|--------|

Installation Requirements

1. Must be installed by a suitably qualified person in accordance with manufacturers instructions and with all relevant plumbing and electrical regulations.
2. In some hard water areas where mineral scale accumulation can become a problem, consideration should be given to the maintenance required, adding a high capacity filtration or water softening system should be considered.

Installation Detail



SECTION B-B
SCALE 1: 2

Notes:
1. Kitchen Unit drawers not shown in the view

303042

