



# RHEEM LOLINE® STAINLESS STEEL SOLAR WATER HEATER

	2 - 6	325L	7 YEAR
SOLAR	PEOPLE <small>(See Table)</small>	CAPACITY	CYLINDER <small>(supply only)</small> WARRANTY <sup>5</sup>



MODEL NO. 5A2325/2NPT

## FEATURES

- **Visual Appeal** – a split system only requires slimline collectors to be mounted on the roof and features a ground mounted tank
- **Available in a 325 litre capacity**
- **Stainless steel storage cylinder**
- **Energy Efficient** – may cut hot water energy use by up to 70% to 75%<sup>1,2</sup>
- Full Mains Pressure for multiple outlets simultaneously<sup>3</sup>
- Incorporates automatic electronic controls
- **Booster** – choice of electric element or 6-star gas boost back up to provide hot water in any weather condition
- **Enhanced frost protection** – recirculating freeze protection utilising an electronically controlled back-up frost element for frosty conditions
- Range of collector options to suit different climate zones. High performance selective surface collectors available in Zones 3 and 4
- Eligible for STCs<sup>4</sup>
- 7 Year Cylinder Warranty and 5 year Collector Warranty<sup>5</sup>



MODEL NO. 5A2325/2NPT-G

## HOW IT WORKS

A Rheem Loline® Stainless Steel solar water heater, with its light weight stainless steel cylinder and natural anti-corrosion properties<sup>5</sup>, uses roof mounted solar collectors to absorb heat energy from the sun. Whilst solar energy is available, the hotter water from the solar collectors is circulated to the solar storage tank at ground level. These efficient collectors help reduce greenhouse gas emissions.

The system has a level of enhanced frost protection with recirculating freeze protection designed to guard the system against damage from freeze conditions, for installations up to 600 metres altitude.

## BOOSTER OPTIONS

To ensure you have hot water all year round a Rheem Loline® Solar Stainless Steel water heater is available with either in-tank electric boosting or 6 star 26L/min continuous flow gas boosting. Boosting is a back-up feature that provides hot water at times of low solar energy gain, such as during very cloudy or rainy weather, or during the colder months or periods of increased hot water demand.



COMES ON STEADY, HOT AND STRONG

INSTALL A





# RHEEM LOLINE® STAINLESS STEEL SOLAR WATER HEATER

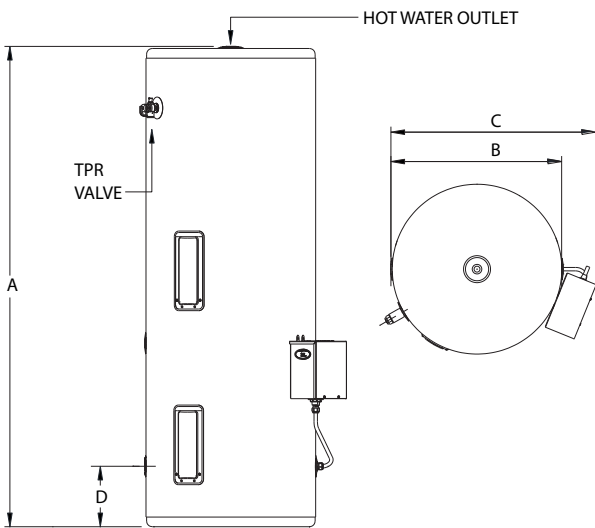
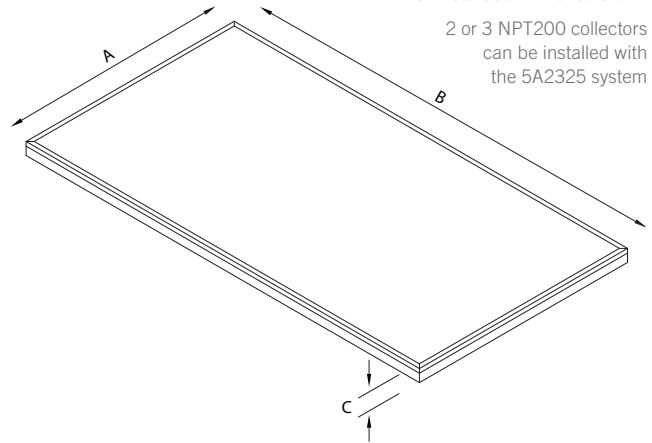
## PRODUCT INFORMATION

MODEL		ELECTRIC	GAS
		5A2325/2NPT 5A2325/2CS07	5A2325/2NPT-G 5A2325/2CS07-G
Storage Capacity	L	325	325
Solar Collectors		2	2
Booster Type		Electric	Gas – Remote
Boost Capacity	L	160	26L/min
People Per Household		2-4	2-6
Dimensions & Specifications			
Height & Hot Outlet (A)	mm	1760	1760
Width (B)	mm	631	631
Depth (C)	mm	751	751
Cold Inlet (D)	mm	221	221
Weight Empty – Tank	kg	54	54
Weight Full – Tank	kg	380	380
Weight Empty – Solar Collectors	kg	78	78
Weight Full – Solar Collectors	kg	82	82

SOLAR COLLECTOR		WIDTH (A)	HEIGHT (B)	DEPTH (C)
NPT200	mm	1027	1943	83
CSA2007	mm	1043	1996	82

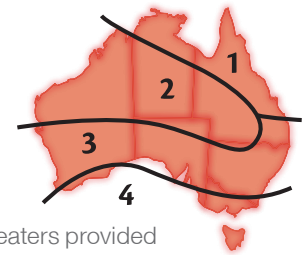
CSA2007 Collectors are only available for installation in zones 3 & 4.

2 or 3 NPT200 collectors can be installed with the 5A2325 system



## STCs

Small-scale Technology Certificates (STCs) are a financial benefit to encourage the installation of solar water heaters provided under a Federal Government legislated scheme.



This map shows the climate Zones within Australia which will define the number of STCs allocated to an approved solar water heater. Your installation may be eligible<sup>4</sup>.

To claim your STC entitlement, simply complete the STC Assignment form. Visit [www.rheem.com.au/help/offers-and-incentives/stcs](http://www.rheem.com.au/help/offers-and-incentives/stcs) to download the STC Assignment form.

<sup>1</sup> Energy reductions of up to 70% to 75% shown are based on Australian Government Approved TRNSYS simulation modelling of a Rheem Loline SS 5A2325/2NPT and 5A2325/2CS07 and using a medium load in Zone 3 and apply when replacing an electric water heater.

<sup>2</sup> Any energy and financial savings will vary depending upon type of Rheem Solar system installed, orientation and inclination of the solar collectors, type of water heater being replaced, hot water consumption and fuel tariff. Maximum financial savings off your hot water bill are achievable when replacing an electric water heater on continuous tariff.

<sup>3</sup> Electric boost models only.

<sup>4</sup> Eligibility criteria apply.

<sup>5</sup> Warranty: solar tank and collectors –7 years supply on cylinder and 5 years supply on solar collectors, 3 years labour on cylinder and solar collectors, 1 year supply and labour on other parts; continuous flow gas booster – 10 years supply on heat exchanger, 3 years labour on heat exchanger, 3 years supply and labour on other parts. Applies to a single-family domestic dwelling only when installed in accordance with the Warranty limits regarding water chemistry. Harsh water regions – the Rheem warranty may not apply if the water heater is connected to a water supply which: has a Chloride content >250mg/L; a pH <6.0 or >9.5; has a Total Dissolved Solids content >600mg/L; is scaling with a Saturation Index >+0.8, or; is corrosive with a Saturation Index <-1.0.

Conditions apply, see Rheem's warranty set out in the product's Owner's Guide or view it at [www.rheem.com.au](http://www.rheem.com.au). Phone 131 031 for details. Materials and specifications are subject to change without notice.



Rheem Australia Pty Ltd.

1 Alan Street, Rydalmere, New South Wales 2116, Australia  
PO Box 7508, Silverwater NSW 2128 Australia  
[www.rheem.com.au](http://www.rheem.com.au)

® Registered Trademark of Rheem Australia Pty Ltd.  
™ Trademark of SAI Global.

