



AUTOBOIL® 3 LITRE WHITE

Order Code 303052

Wall mounted instant boiling water appliance with integrates 0.2 micron MicroPurity™ filtration. The Autoboil® employs twin chamber boiling water steam-heat-boost™ technology to recycle energy from steam to pre-heat the incoming cold water. The Autoboil® has inbuilt self-calibration technology, utilises highly accurate electronic temperature control and incorporates a programmable digital display with 2 energy saving modes. The main boiling water tank is constructed from the highest quality 444 grade Stainless Steel and wrapped with high performance insulation to ensure the healthiest water and optimum efficiency. The Autoboil® is equipped with an external two-way classic tap.



Manufacturing Code	303052
--------------------	--------

Capacity	3 L
----------	-----

Water Pressure	Min 70kPa - Max 500kPa
-----------------------	------------------------

Water Connection	12.7mm BSP
-------------------------	------------

Water Valves	na
---------------------	----

Power Rating	1.5kW 220-240 V 50Hz
---------------------	----------------------

Dimensions	H431mm x W289mm x D183mm
-------------------	--------------------------

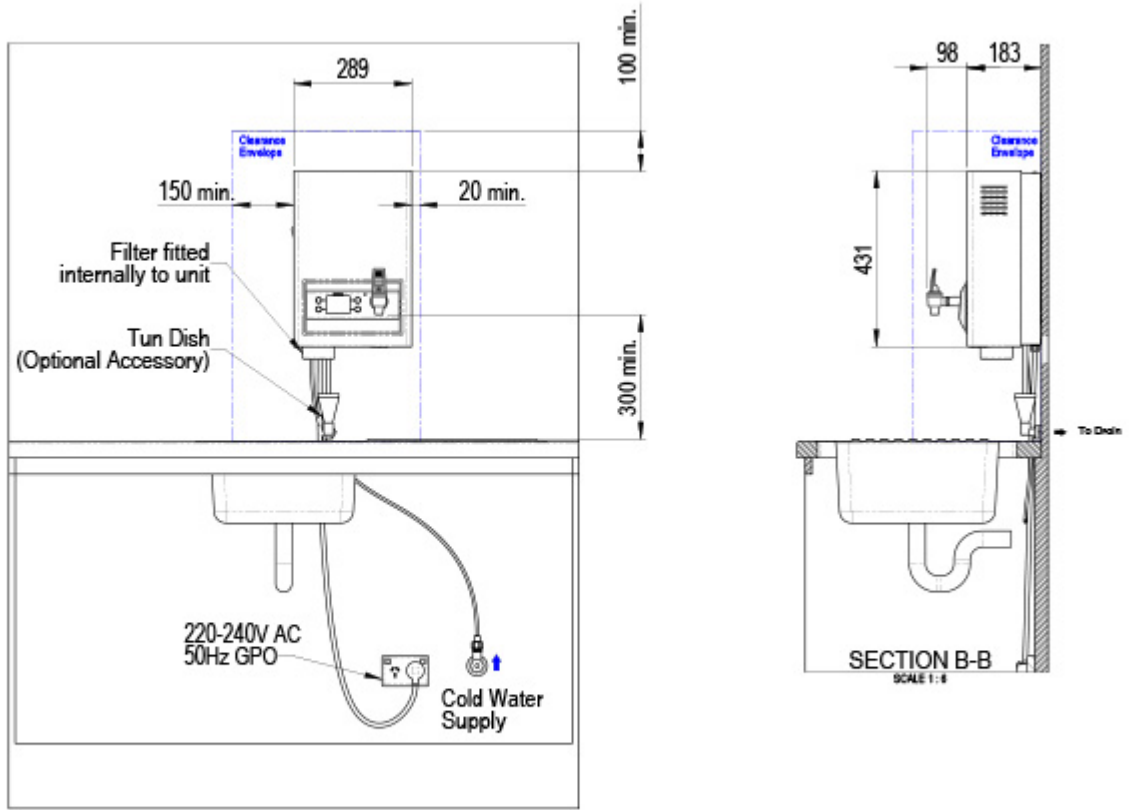
Product Approvals	WaterMark, CE,
--------------------------	----------------

Warranty	2 years
-----------------	---------

Installation Requirements

1. Must be installed by a suitably qualified person in accordance with manufacturers instructions and with all relevant plumbing and electrical regulations.
2. In some hard water areas where mineral scale accumulation can become a problem, consideration should be given to the maintenance required, adding a high capacity filtration or water softening system should be considered.

Installation Detail



Notes
1. Kitchen Unit drawers not shown in this view

303052

